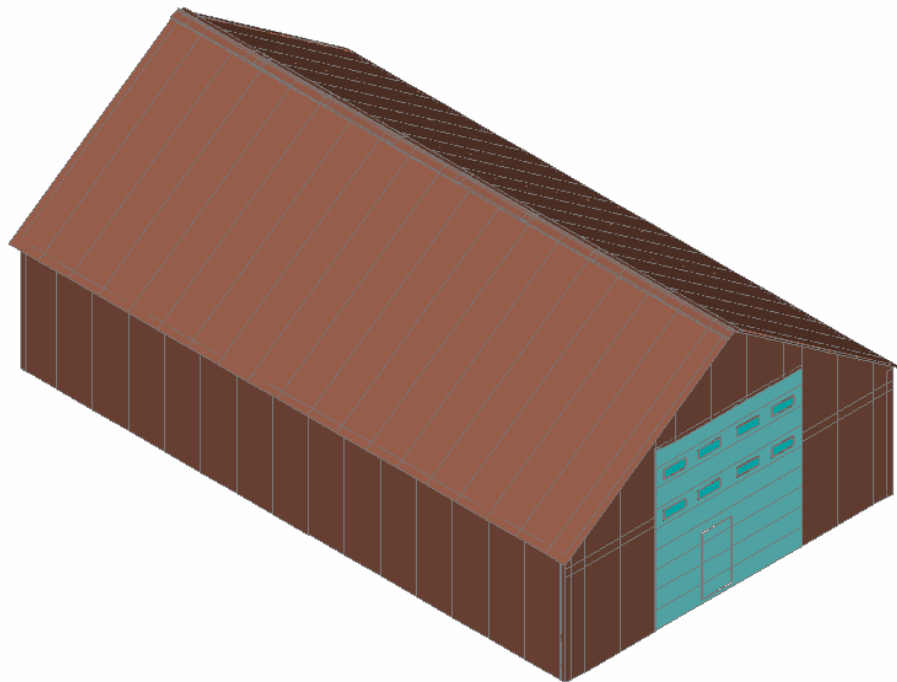


STEEL BUILDING
ASSEMBLY MANUAL
MODEL# SSM150906

L15.0 x W9.0 x H6.3m

with overhead door



SPECIFICATION

Length: 15m Width: 9.0m Height: 6.3m

IMPORTANT-----READ MANUAL FIRST

Improper site preparation, assembly and maintenance may invalidate warranty and cause unnecessary and costly mistakes. If you have any questions contact your local dealer.

For user friendly assembly we have identified each individual component with the part code as indicated in the parts list. Please refer to the part code numbers and drawing to ensure problem free assembly.

READ ALL INSTRUCTIONS BEFORE ASSEMBLY



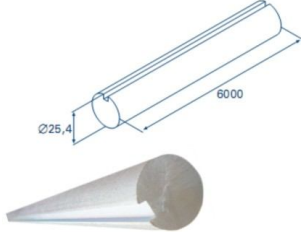


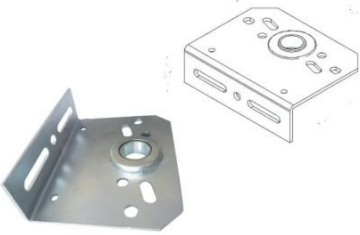
1. Keep work area clean. Cluttered areas invite injuries. Do not set up near snow drifts, in slippery places, in high winds, or wet location.
2. Keep children away. All children should be kept away from the work area.
3. Don't over reach. Keep proper footing and balance at all times.
4. Do not assemble if under the influence of alcohol or drugs. Read warning labels on prescriptions to determine if your judgment or reflexes are impaired while taking drugs. If there is any doubt. Do not assemble.
5. Be aware of possible windy conditions; fasten the bases in concrete if these conditions are likely to occur. Remove the cover during hurricane.
6. Be careful with power and heat sources. Do not keep heat sources near the tarpaulin. Do not expose to open flame.
7. Be aware of personal safety during assembly and use. Be careful not to pinch fingers with clips and tubes when assembling: when using makes sure there is adequate ventilation for exhaust and other dangerous fumes.

Parts List for Building


Part Code	Description	Quantity(PC)	Box
1	poles for front and back ends	2	1
2	poles for front and back ends	2	1
3	pole for front door (left)	1	1
4	pole for front door (right)	1	1
5	cross tube for front door	1	1
6	cross beam for front door	1	1
7	side rail for front end	6	1
8	suspend tube for front end	8	1
9-1	rafter for front end (left) for arch No.1	1	1
9-2	rafter for front end (right) for arch No.1	1	1
10	pole for back end (left)	1	1
11	pole for back end (right)	1	1
12	pole for back end (middle)	1	1
13	side rail for back end	14	1
14-1	rafter for back end (left) for arch No.9	1	1
14-2	rafter for back end (right) for arch No.9	1	1
15	upright (middle)	14	1
16	bracing tube	14	1
17-1	rafter for middle arches (left) for arch No.2,3,5,7,8	5	1
17-2	rafter for middle arches (right) for arch No.2,3,5,7,8	5	1
17-3	rafter for arch No.4,6	4	1
18	roof support tube	7	1
19	short purlins for sidewall	12	1
20	long purlins for sidewall	36	1
21	short purlins for roof	12	1
22	long purlins for roof	24	1
23	bolt M14x70mm for purlins	132	3
24	bolt M14x90mm for pulins	136	3
25	bolt M14x100mm for connection plate	202	3
26	bolt M14x120mm for for connection plate	112	3
27	bolt M14x150mm for front door and upright	10	3
28	self drilling bolt for color steel plate	2000	3
28-1	tool for self drilling bolt	4	3
28-2	rivit	600	3
29	trim strip for roof	38	4
30	color steel plate for sidewall	30	4
31	color steel plate for front end	1	4
32	color steel plate for front end	1	4
33	color steel plate for front end	1	4

34	color steel plate for front end	1	4
35	color steel plate for front end	1	4
36	color steel plate for front end	1	4
37	color steel plate for front end	1	4
38	color steel plate for front end	1	4
39	color steel plate for front end	1	4
40	color steel plate for front end	1	4
41	color steel plate for front end	1	4
42	color steel plate for front end	1	4
43	color steel plate for front end	1	4
44	color steel plate for two ends	13	4
45	color steel plate for back end	1	4
46	color steel plate for back end	1	4
47	color steel plate for back end	1	4
48	color steel plate for back end	1	4
49	color steel plate for back end	1	4
50	color steel plate for back end	1	4
51	color steel plate for back end	1	4
52	color steel plate for back end	1	4
53	color steel plate for back end	1	4
54	trim strip for four corners	4	5
55	trim strip for roof	9	5
56	trim strip for front door	3	5
57	trim strip for eave	14	5
58	connection plate	18	3
59	connection plate	4	3
60	connection plate	8	3
61	connection plate	28	3
62	connection plate	28	3
63-1	connection plate	14	3
63-2	connection plate	14	3
64-1	connection plate	14	3
64-2	connection plate	14	3
65	connection plate	4	3
66	overhead door	1	2

Parts List for Overhead Door

Code	Description	Illustration	Quantity(PCS)	Box
D1	3" side track & vertical track		2	3
D2	3" horizontal double track		2	3
D3	solid steel shaft with keyway		2	3
D4	coupler		1	3
D5	shaft key		9	3
D6	shaft bracket		2	3

D7	L bracket		2	3
D8	industrial door motor		1	3
D9	antibreak system		2	3
D10	spring		2	3
D11	cable		1	3
D12	clip for cable		4	3
D13	cable drum		2	3

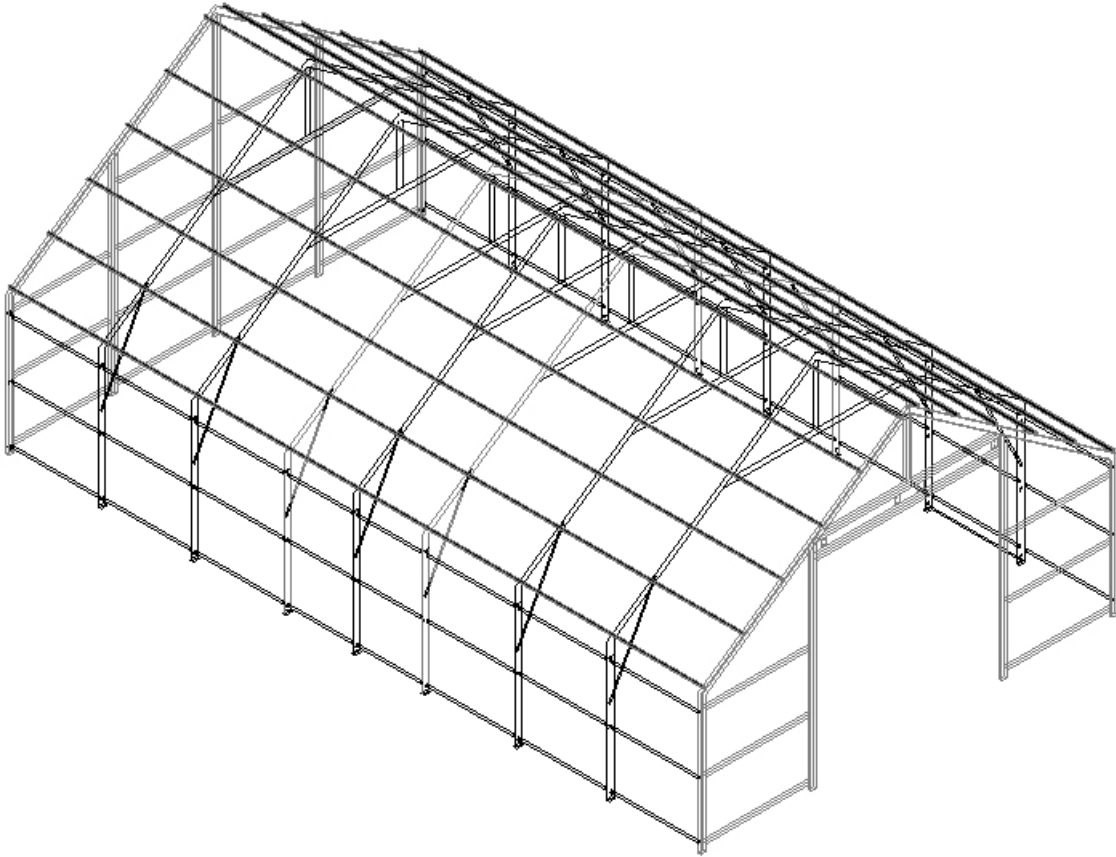
D14	roller		20	3
D15	double side hinge		16	3
D16	double middle hinge		16	3
D17	top bracket		2	3
D18	bottom roller bracket, antibreak system		2	3
D19	bottom rail		2	3
D20	top seal		1	3

D21	bottom seal		1	3
D22	side seal		1	
D23	safty aerocyst		1	3
D24	lock		1	3
D25	hinger for small door		8	3
D26	door closer		1	3
D27	strength strut		2	3

D28	40mm thickness panel 0.35mm thickness steel strip white color finger protection panel		9	3
D29	Bolt M4X40 for small window		64	3
D30	self drilling bolt M6x19		294	3
D31	bolt M10X80		10	3
D32	bolt M6X14		8	3
D33	bolt M8X16		4	3
D34	perforated angle		8	3

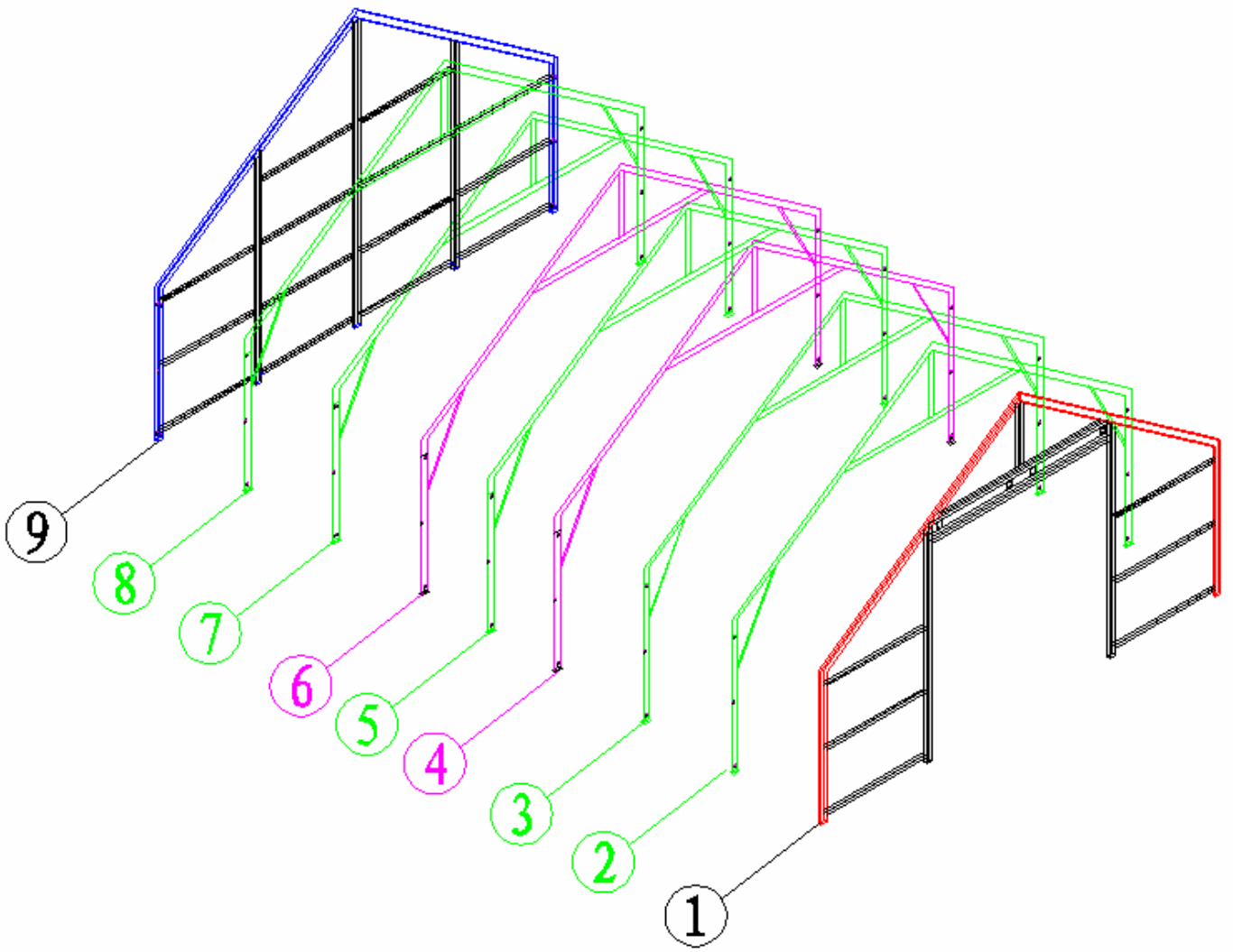
INSTALLATION PROCESS

Frame Sketch



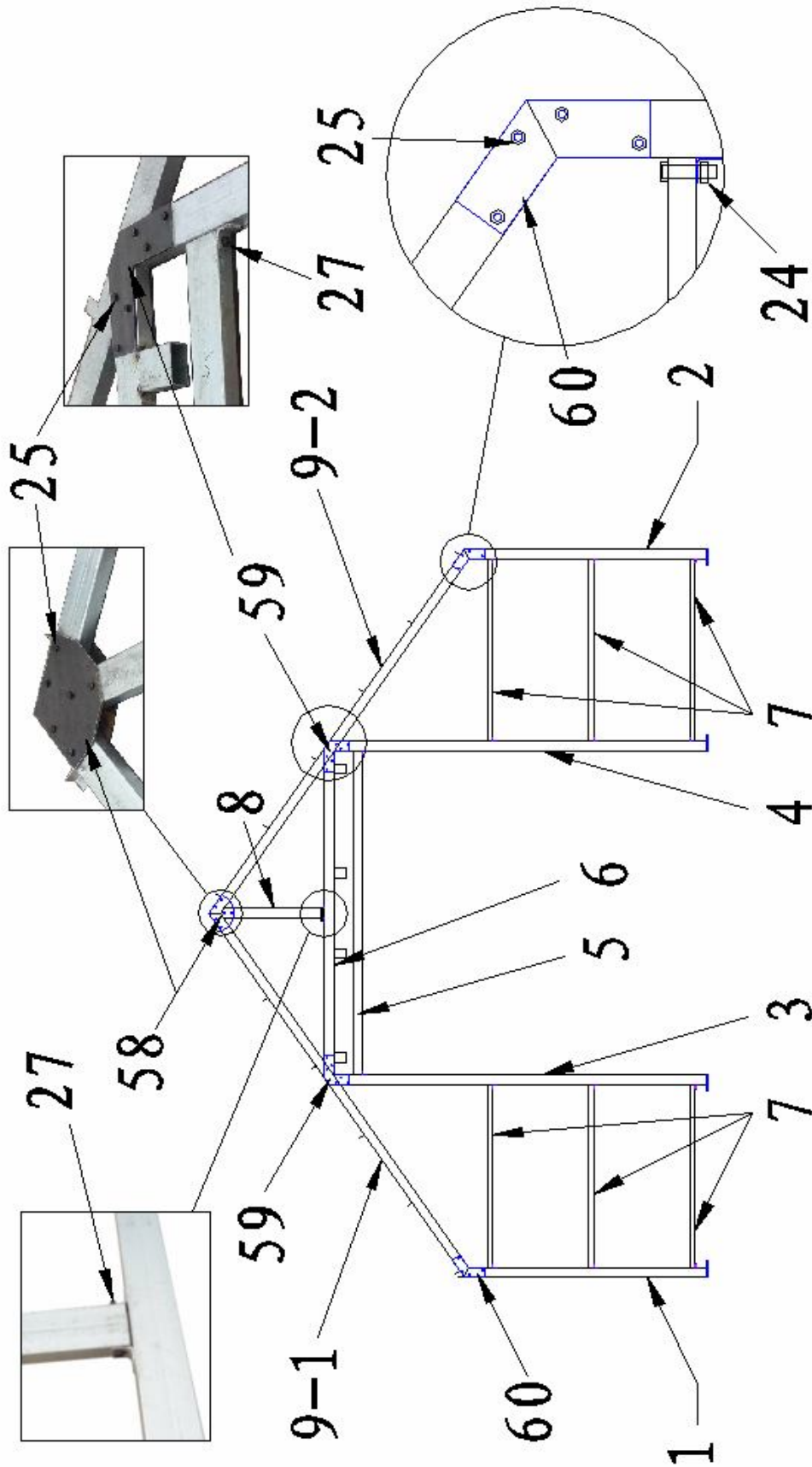
A--ARCHES INSTALLATION

Arches of No.1 to 9



Arch No.1 installation

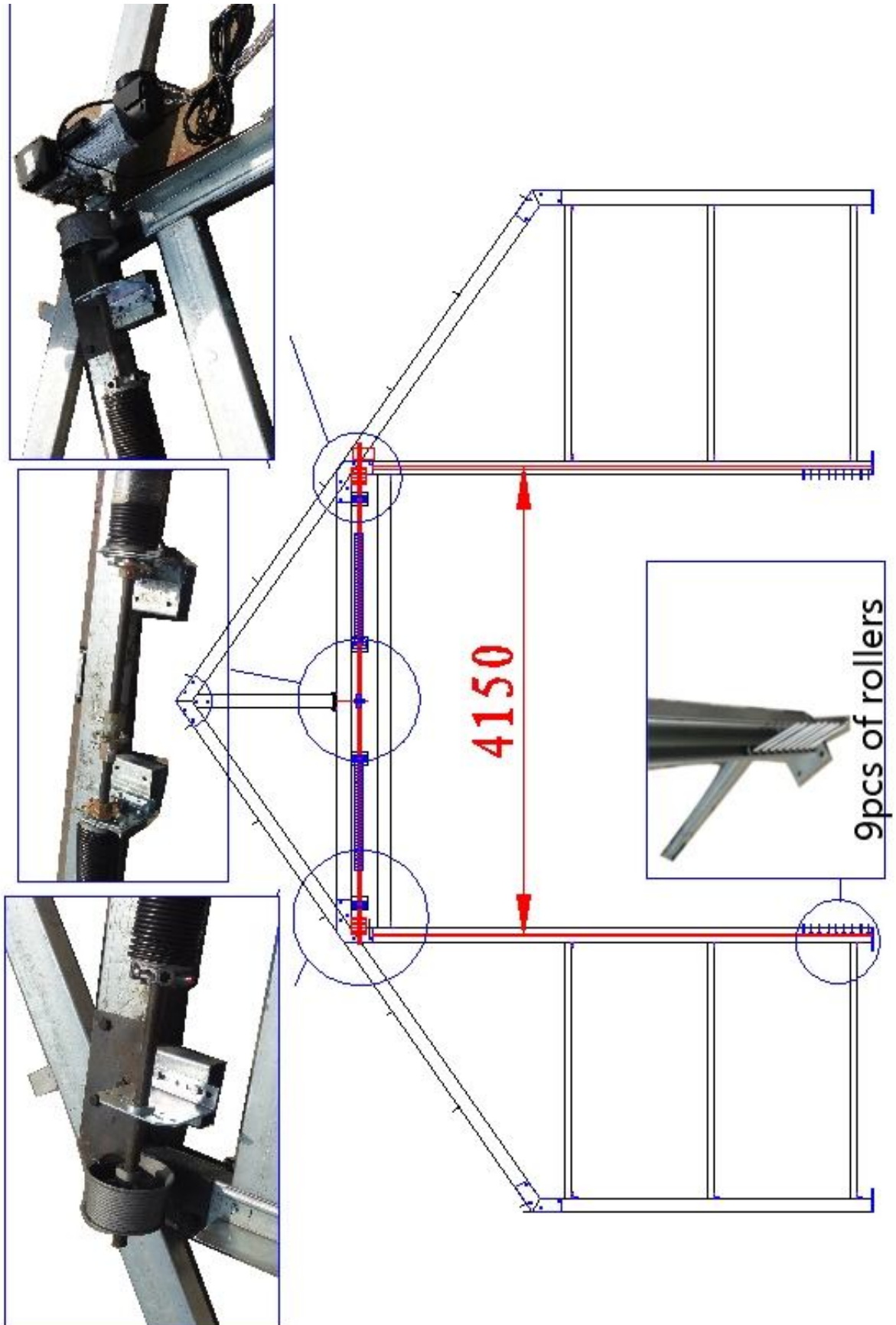
Note: some of the parts for overhead door should be installed by this step.



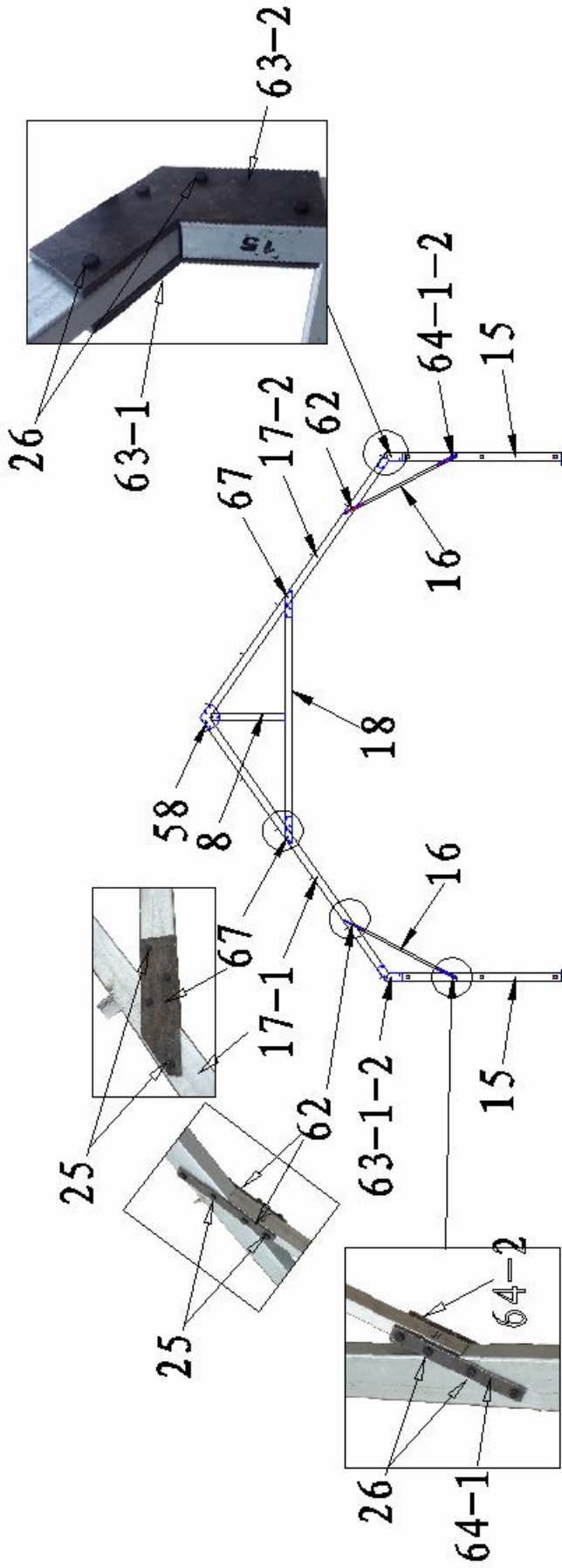
Overhead door parts installation

Install No. D1, D3, D4, D5, D6, D7, D8, D9, D10, D13, D14, D30, D31

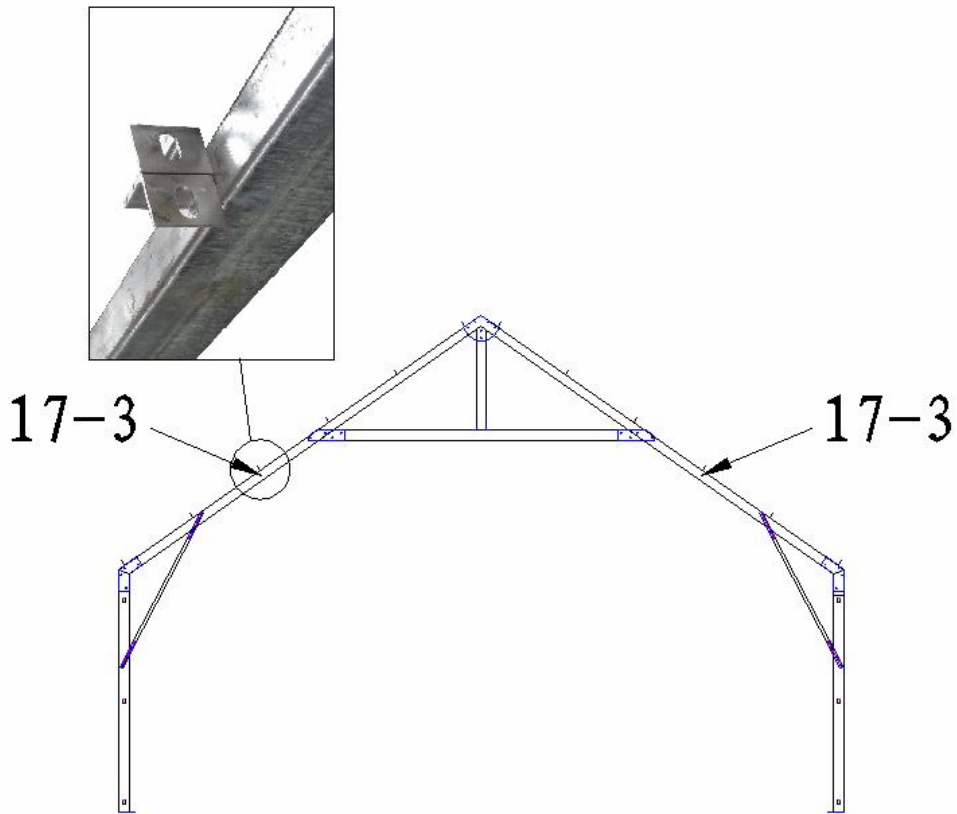
Note: the distance between two vertical tracks is 4150mm



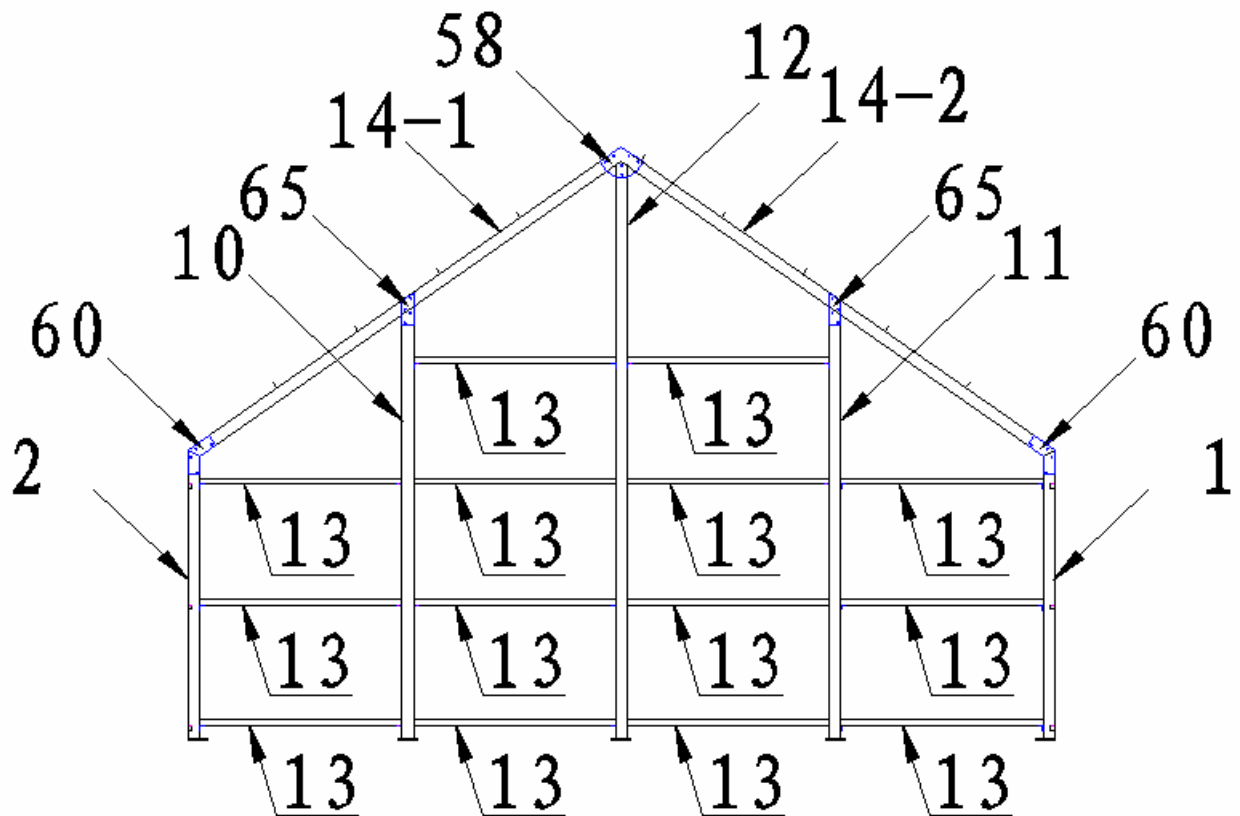
Arch No.2, 3, 5, 7, 8 installation



Arch No.4, 6 installation



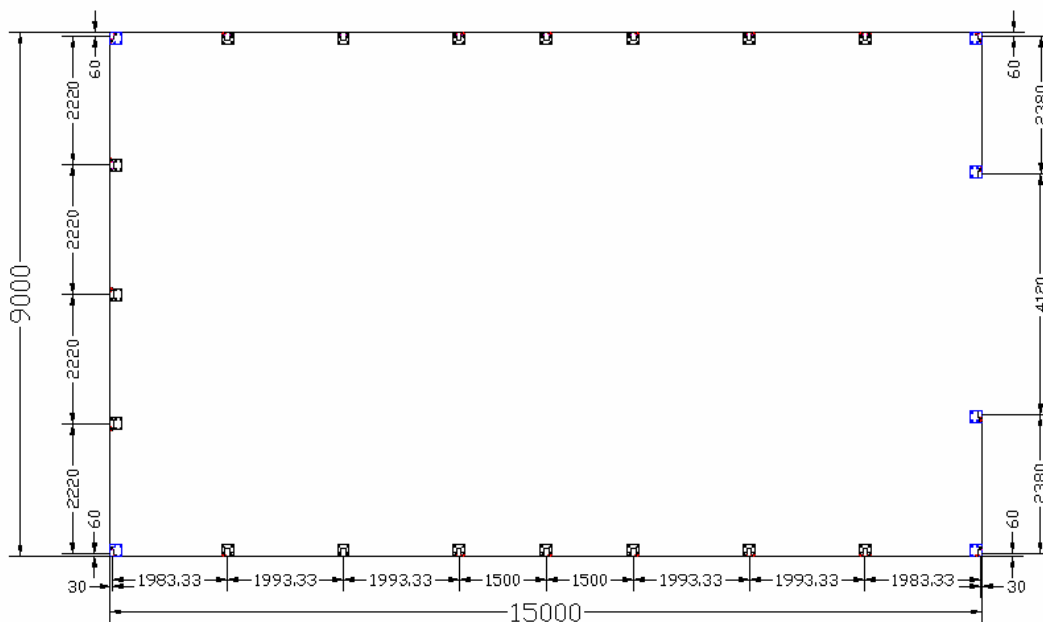
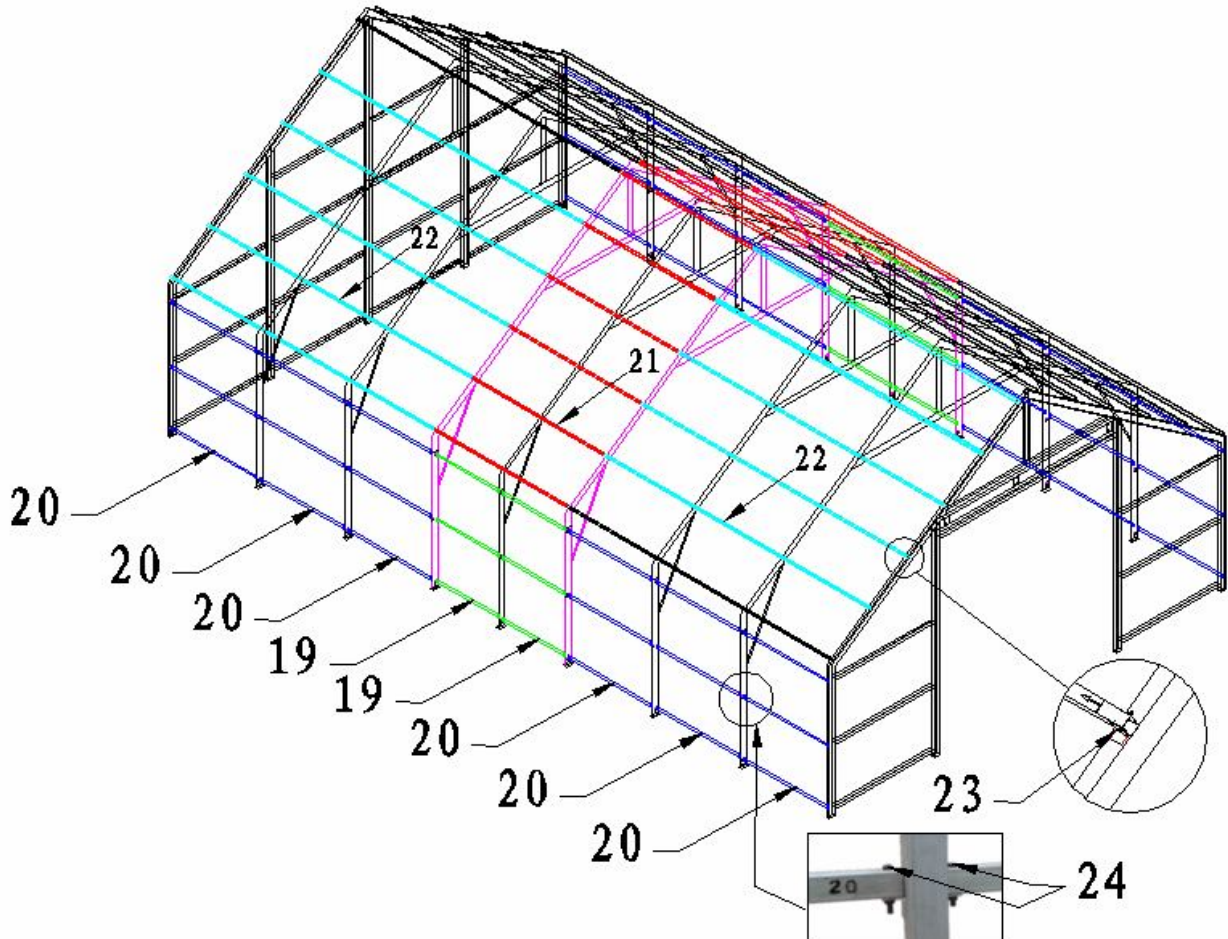
Arch No.9 installation



B--PURLIN INSTALLATION

When install No.22 long purlins for roof, please pay attention to the direction. The arrow mark on purlin need to toward inside and make sure the holes for bolts in right position.

When install the purlins for sidewall (No.19. 20), please make sure the ends is very close to the uprights (No.15) and maintain the shape of whole structure without distortion. .



C—EXPANSION BOLT INSTALLATION

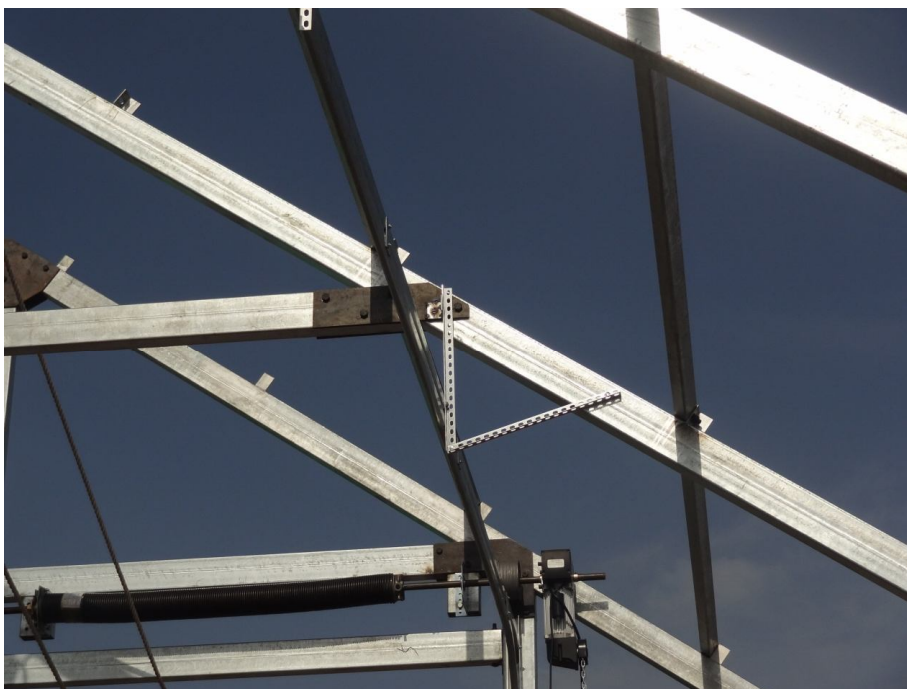
Install the expansion bolt to fix the steel plates to earth.

D—OVERHEAD DOOR INSTALLATION

1. Install No.D2 3" horizontal double track and put 1 pc of No.D14 roller into the upper track.



Fix D2 by No.D34, D30, D32. Fix No.D1 3" side track & vertical track to upright. Connect No.D2 and No.D1 by No.D33



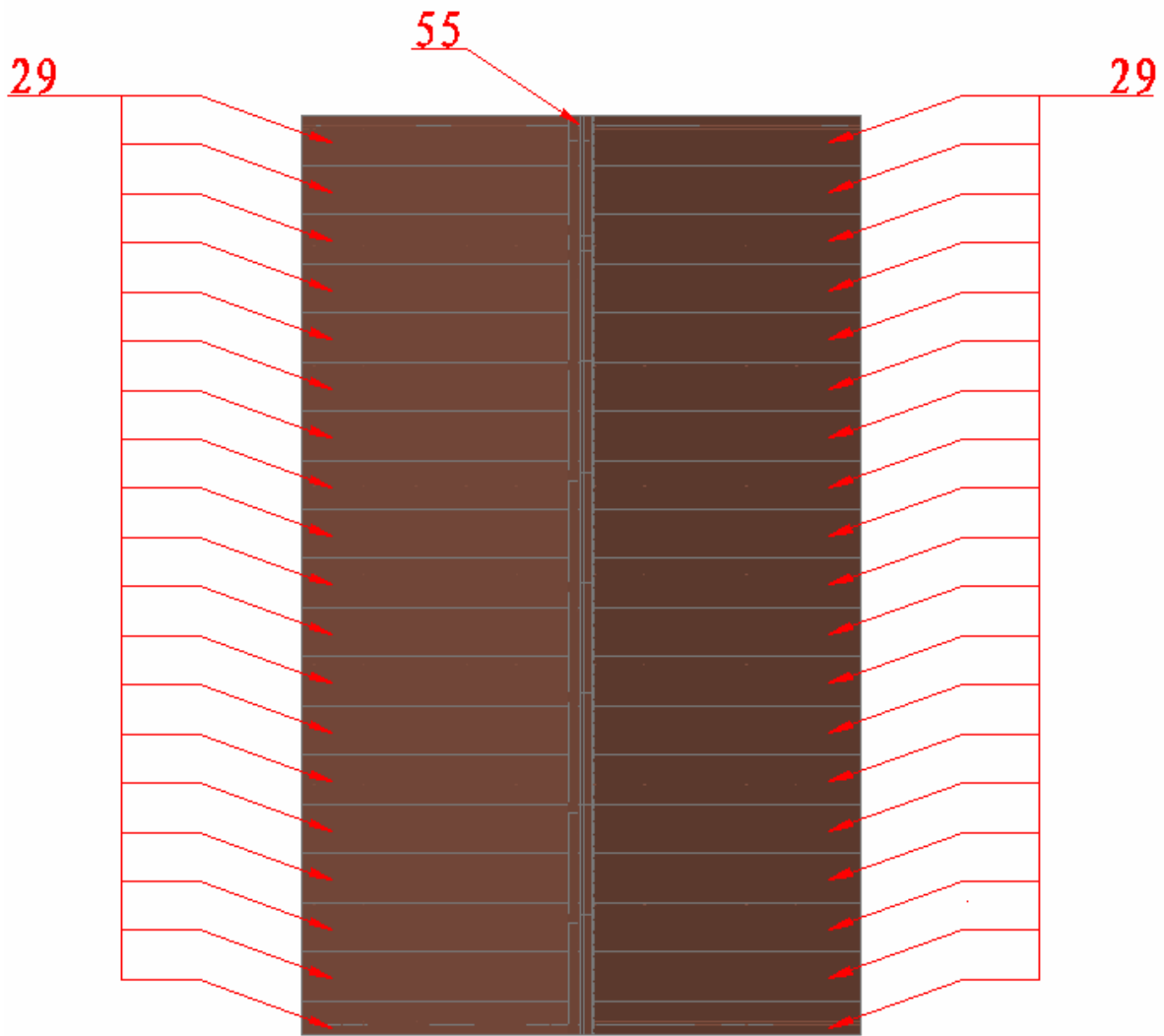
Install No.D11, D12, D15, D16, D17, D18, D19, D20, D21, D22, D23, D24, D25, D26, D27, D28, D29, D30



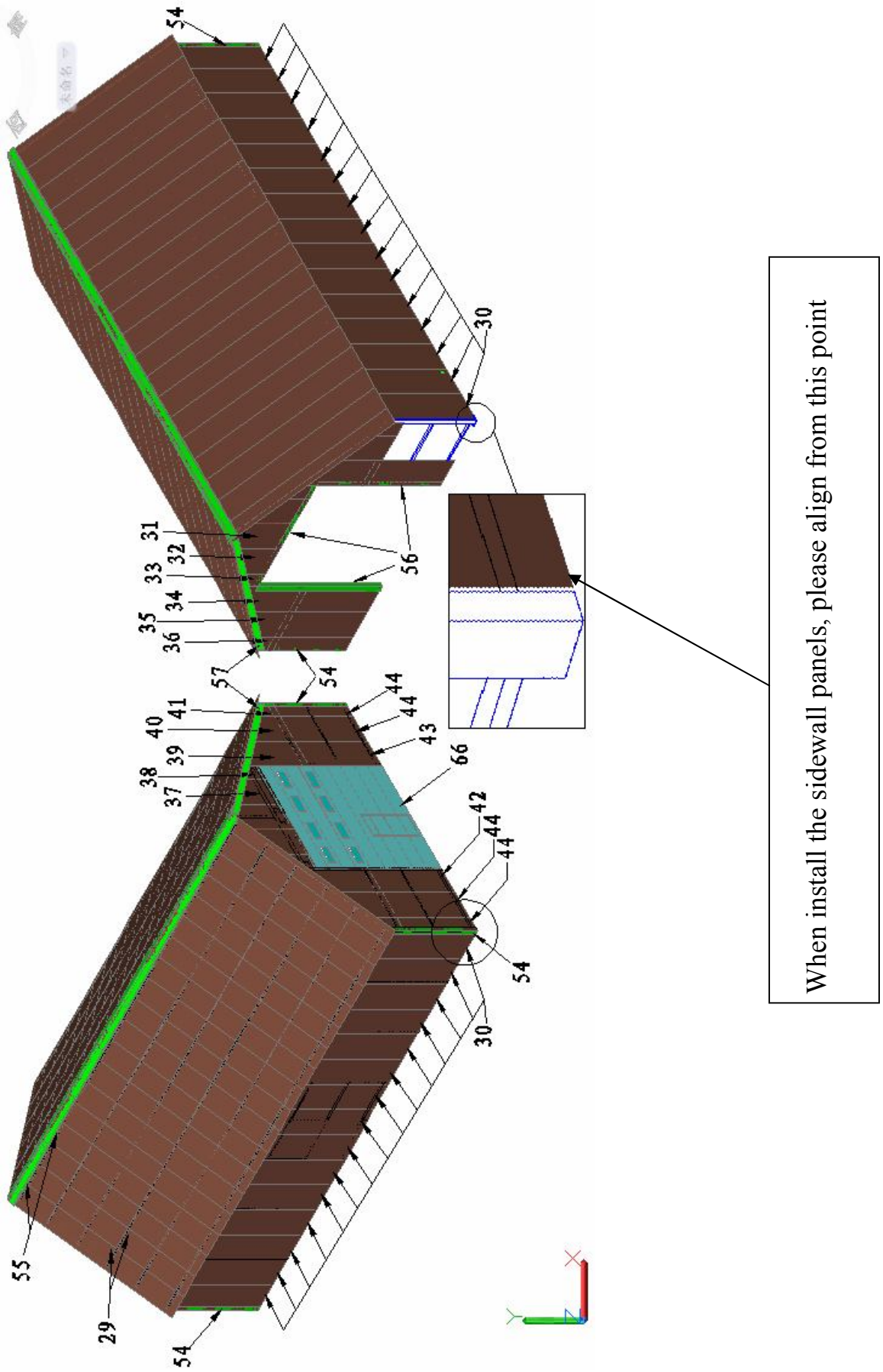
Now the installation for overhead door is completed.



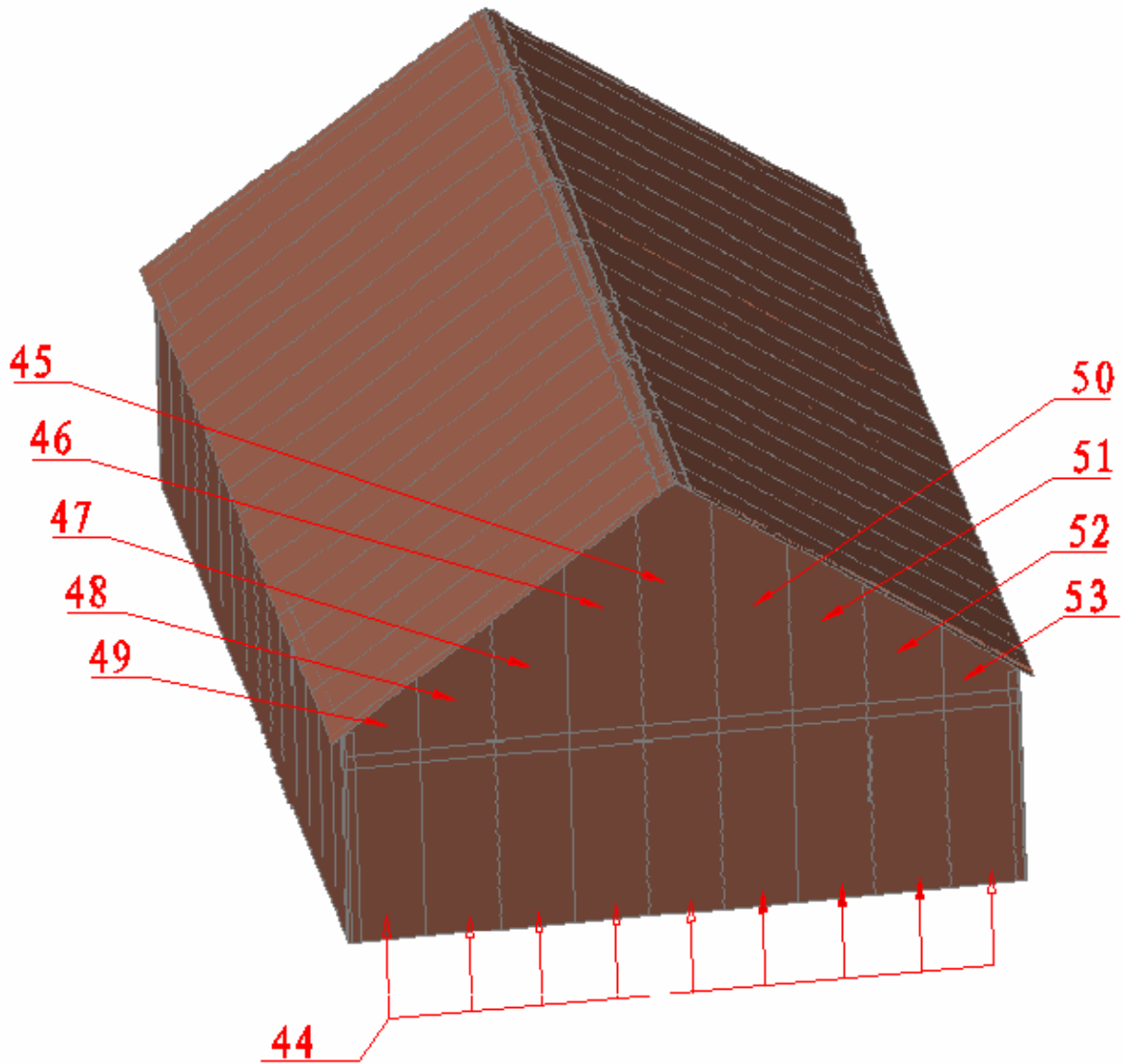
E—COLOR STEEL PLATE INSTALLATION



Note: when install the front and back panels, please install the color steel plate from the middle to the sides



Installation of back panel.



NOW THE INSTALLATION IS FINISHED